

KPZ 2SC Platform scale (overfloor) | | Solid floor scales up to 3.000 kg
C series means: complete with Indicator, battery, output RS 232C | | retail aprovel, included the price



Stable **platform scale** series **KPZ 2SC**. **German design and own EU production guarantees high quality.** Designed as floor scales, for industrial weighing. High accuracy. Maintenance-free durable steel construction. Powder paint coated.

Construction: Robust, maintenance-free, welded profile steel construction, for industrial use, Structured weighing platform, durable black powder coat, RAL 9005. **Load cells:** Robust, IP68, OIML III, with high overload capacity. **Levelling feet.** **Installation:** 5m cable between Platform and indicator. **Approvals:** OIML class III , CE conform. **Power Supply :** rechargeable battery, adapter 230 VAC. **Indicator:** KPZ 51-16-1, **approved:** KPZ 52E16-1, ABS housing , 6-digit 25 mm, backlite LCD, with status symbols, built-in rechargeable battery and RS 232, **Basic function:** zero setting, tare (multitare possible) minus indication, switching net/gross. Over menu adjustable: Set point or limit value control.

KPZ price includes : complete scale with indicator, built-in rechargeable battery and RS 232, 2SCME also the Factory first Certification.

Typ KPZ	Capacity kg	Div. g	Dim. mm	Indicator	€/pcs Scale	Art.-No. Scale	Certific. possible	€/pcs Certific.	Art.-No. Certification
2 SCM	1500/3000	500/1000	1000 x1000	51-16-1	755,00	2SCM10103000	No	X	X
2 SCME	1500	500	1000 x1000	52E16-1	825,00	2SCM1010150E	YES	included	X
2 SCME	3000	1000	1000 x1000	52E16-1	825,00	2SCM1010300E	YES	included	X
2 SCM	1500/3000	500/1000	1000 x1250	51-16-1	810,00	2SCM10123000	No	X	X
2 SCME	1500	500	1000 x1250	52E16-1	880,00	2SCM1012150E	YES	included	X
2 SCME	3000	1000	1000 x1250	52E16-1	880,00	2SCM1012300E	YES	included	X
2 SCM	1500/3000	500/1000	1250 x1250	51-16-1	835,00	2SCM12123000	No	X	X
2 SCME	1500	500	1250 x1250	52E16-1	910,00	2SCM1212150E	YES	included	X
2 SCME	3000	1000	1250 x1250	52E16-1	910,00	2SCM12123000	YES	included	X
2 SCM	1500/3000	500/1000	1250 x1500	51-16-1	960,00	2SCM12153000	No	X	X
2 SCME	1500	500	1250 x1500	52E16-1	1030,00	2SCM1215150E	YES	included	X
2 SCME	3000	1000	1250 x1500	52E16-1	1030,00	2SCM1215300E	YES	included	X
2 SCM	1500/3000	500/1000	1500 x1500	51-16-1	1000,00	2SCM15153000	No	X	X
2 SCME	1500	500	1500 x1500	52E16-1	1070,00	2SCM1515150E	YES	included	X
2 SCME	3000	500/1000	1500 x1500	52E16-1	1070,00	2SCM1515300E	YES	included	X

Other dimensions and capacities are also available

Options / accessories / extra charge	€/pcs	Art.-No.
Delivery without Indicator REDUCED PRICE	On Request	X
Rechargeable battery version KPZ 51(2)-16-1	included	X
Indicator Stand for KPZ 51(2)-16-1	40,00	2S0220000000
Wall mounting for KPZ 51(2)-16-1	included	X
Serial interface RS232C k KPZ 51(2)-16-1	included	X
Foot locators, Set (4pcs)	80,00	010520100000
Connector in cable between Plattform and Indicator also	15,00	52E800001101
WiFi Datatransfer	425,00	120005000000
KPZ PC Software	On Request	X
KPZ Printers page 56	On Request	X
USB, 8MB internal Memory	670,00	X

.....please contact us for special requests!



KPZ 2SXC Platformscale | | up to 3.000kg

C series means: complete with Indicator, battery, output RS 232C | | retail aprovel, included the price



Solid and stable platform scales series KPZ 2SXC. **German design and own EU production guarantees high quality.** Designed as floor scales, industrial weighing. High accuracy. Maintenance-free durable steel construction. Powder paint coated.

Construction: Robust, maintenance-free, welded profile steel construction, for industrial use, Structured weighing platform, durable black powder coat, RAL 9005. **Load cells:** Robust, IP68, OIML III, with high overload capacity. Levelling feet. **Installation:** 5m cable between Platform and indicator. **Approvals:** OIML class III , CE conform. **Power Supply :** rechargeable battery, adapter 230 VAC. **Indicator approved:** KPZ 52E16-1, Price included **Factory first Certification.** ABS housing , 6-digit 25 mm, backlite LCD, with status symbols, with **built-in rechargeable battery and RS 232**, **Basic function:** zero setting, tare (multitare possible) minus indication, switching net/gross. Over menu adjustable: Set point or limit value control.

KPZ price includes : complete scale with indicator, built-in rechargeable battery and RS 232, 2SCME also the Factory first Certification.

Typ KPZ	Capacity kg	Div. g	Dim. mm	Indicator	€/pcs Scale	Art.-No. Scale	Certific. possible	€/pcs Certific.	Art.-No. Certification
2SXCE	1500	500	1000x1000	52E161	840,00	2SXC1010150E	YES	included	X
2SXCE	3000	1000	1000x1000	52E161	840,00	2SXC1010300E	YES	included	X
2SXCE	1500	500	1250x1250	52E161	1010,00	2SXC1212150E	YES	included	X
2SXCE	3000	1000	1250x1250	52E161	1010,00	2SXC1212300E	YES	included	X
2SXCE	1500	500	1250x1500	52E161	1090,00	2SXC1215150E	YES	included	X
2SXCE	3000	1000	1250x1500	52E161	1090,00	2SXC1215300E	YES	included	X
2SXCE	1500	500	1500x1500	52E161	1190,00	2SXC1515150E	YES	included	X
2SXCE	3000	1000	1500x1500	52E161	1190,00	2SXC1515300E	YES	included	X

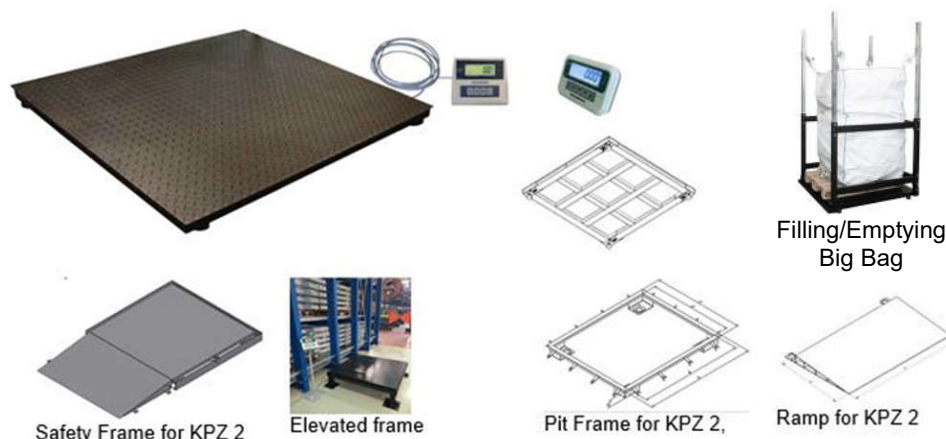
Other dimensions and capacities are also available

Options / accessories / extra charge	€/pcs	Art.-No.
Delivery without Indicator REDUCED PRICE	On Request	X
Rechargeable battery version KPZ 51(2)-16-1	included	X
Indicator Stand for KPZ 51(2)-16-1	40,00	2S022000000
Wall mounting for KPZ 51(2)-16-1	included	X
Serial interface RS232C k KPZ 51(2)-16-1	included	X
Foot locators, Set (4pcs)	80,00	010520100000
Connector in cable between Plattform and Indicator also	15,00	52E800001101
WiFi Datatransfer	425,00	120005000000
KPZ PC Software	On Request	X
KPZ Printer	On Request	X
USB, 8MB internal Memory	670,00	X

.....please contact us for special requests!



KPZ 2SX Platform scale | | up to 3.000 kg for industrial use



Solid and stable platform scales series KPZ 2SX. **German design and own EU production guarantees high quality.** Designed as floor scales, industrial weighing. High accuracy. Maintenance-free durable steel construction. Powder paint coated.

Construction: Robust, maintenance-free, welded steel construction, heavy duty design for industrial use, Structured weighing platform, durable black powder coat, RAL 9005. **Load cells:** Robust, IP68, OIML III, with high overload capacity. Levelling feet. **Installation:** 5m cable between Platform and indicator. **Approvals:** OIML class III , CE conform. **Power Supply** : 230 V mains, Power cord. **Indicator:** KPZ 52-18, **approved:** KPZ 52E-8.

Typ KPZ	Capacity kg	Div. g	Dim. mm	Indicator	€/pcs Scale	Art.-No. Scale	Certific. possible	€/pcs Certific.	Art.-No. Certification
2SX	1500/3000	500/1000	1000x1000	5218	765,00	2SXM10103000	No	X	X
2SXE	3000	1000	1000x1000	52E8	905,00	2SX01010300E	YES	95,00	300PL0003000
2SXEM	1500/3000	500/1000	1000x1000	52E8	925,00	2SXM1010300E	YES	135,00	300PLM03000
2SX	1500/3000	500/1000	1250x1250	5218	935,00	2SXM12123000	No	X	X
2SXE	3000	1000	1250x1250	52E8	1070,00	2SX01212300E	YES	95,00	300PL0003000
2SXEM	1500/3000	500/1000	1250x1250	52E8	1105,00	2SXM1212300E	YES	135,00	300PLM03000
2SX	1500/3000	500/1000	1250x1500	5218	1020,00	2SXM12153000	X	X	X
2SXE	3000	1000	1250x1500	52E8	1165,00	2SX01215300E	YES	95,00	300PL0003000
2SXEM	1500/3000	500/1000	1250x1500	52E8	1175,00	2SXM1215300E	YES	135,00	300PLM03000
2SX	1500/3000	500/1000	1500x1500	5218	1070,00	2SXM15153000	X	X	X
2SXE	3000	1000	1500x1500	52E8	1210,00	2SX01515300E	YES	95,00	300PL0003000
2SXEM	1500/3000	500/1000	1500x1500	52E8	1225,00	2SXM1515300E	YES	135,00	300PLM03000

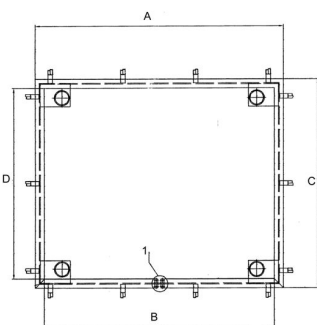
Other dimensions and capacities are also available

Options / accessories / extra charge	€/pcs	Art.-No.
Delivery without Indicator REDUCED PRICE	On Request	1252180OHNE
Rechargeable battery version KPZ 52 18, KPZ 52E8	20,00	12004000000
Indicator Stand for KPZ 52-18, KPZ 52E8, powder painted, 100cm	40,00	2S022000000
Wall mounting for KPZ 52-18, KPZ 52E8	15,00	1S002200000
Serial interface RS232C k KPZ 52E-8	30,00	1252E8000100
Serial interface RS232C k KPZ 52-18	15,00	125218000100
Foot locators, Set (4pcs)	80,00	010520100000
3 Set points for KPZ 52E-8 (high – OK – low)	85,00	1252E8000300
WiFi Datatransfer	425,00	120005000000
Connector in cable between Plattform and Indicator also	15,00	52E800001101
KPZ PC Software	On Request	X
KPZ Printer	On Request	X
USB, 8MB internal Memory	670,00	X

.....please contact us for special requests!

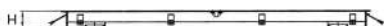


Ramp for KPZ 2SX	Ramp dimension	€/pcs	Article-Nr
KPZ 2X. 1000 x 1000 mm up to 3t	1000 mm wide, 800 mm long	325,00	21SX08103000
KPZ 2X; 1250 x 1250 mm up to 3t	1250 mm wide, 800 mm long	360,00	21SX08123000
KPZ 2X, 1250 x 1500 mm up to 3t	1250 mm wide, 800 mm long	360,00	21SX08123000
KPZ 2X, 1500 x 1500 mm up to 3t	1500 mm wide, 800 mm long	410,00	21SX08153000



Pit frame for KPZ 2SX, Div. mm:

Pit frame for KPZ 2t	A	B	C	D	H	€/Stk.	Article No.
1000 x 1000 to 3000kg	1120	1020	1120	1020	120	255,00	25S010103000
1250 x 1250 to 3000kg	1370	1270	1370	1270	120	295,00	25S012123000
1250 x 1500 to 3000kg	1620	1520	1370	1270	120	305,00	25S012153000
1500 x 1500 o 3000kg	1620	1520	1620	1520	120	310,00	25S015153000



Removable cover for the cable entry hole. Minimum size of the space for recessing = A + 160mm x C + 160mm

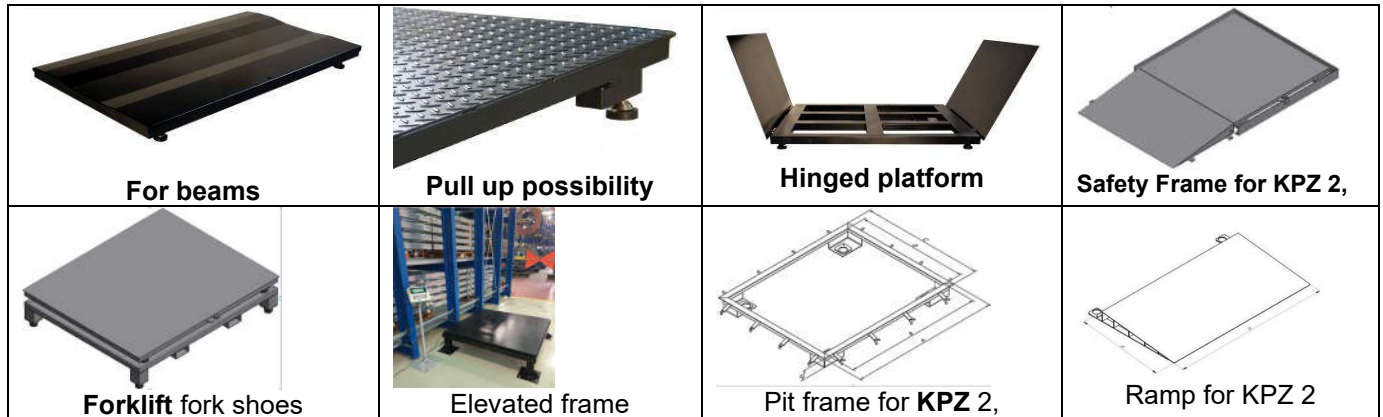
Safety Frame for KPZ 2 SX, 1000 x 1000 mm, up to 3 t, 3 to 4 side	On Request	25SU10103040
Safety Frame for KPZ 2 SX, 1250 x 1250 mm, up to 3 t, 3 to 4 side	On Request	25SU12123040
Safety Frame for KPZ 2 SX 1250 x 1500 mm, up to 3 t, 3 to 4 side	On Request	25SU12153040
Safety Frame for KPZ 2 SX, 1500 x 1500 mm, up to 3 t, 3 to 4 side	On Request	25SU15153040

Packing dimension			
Model	Scale Cap.	Packing Dim.	Weight
KPZ 2 1000 x 1000	Up to 3000kg	120 x 100 x 40 cm, 100 kg	80 kg
KPZ 2 1250 x 1250	Up to 3000kg	125 x 125 x 40 cm 135 kg	115 kg
KPZ 2 1250 x 1500	Up to 3000kg	125 x 150 x 40 cm. 160 kg	130 kg
KPZ 2 1500 x 1500	Up to 3000kg	150 x 150 x 40 cm 180 kg	160 kg

.....please contact us for special requests!



KPZ 2S Platform scale | | up to 25.000 kg for industrial use



Extreme solid and stable platform scales series KPZ 2S. German design and own EU production guarantees high quality. Designed as floor scales, industrial weighing. High accuracy. Maintenance-free durable steel construction. Powder paint coated.

Construction: steel, welded frame made of profile with diagonal reinforcement and solid structured steel plate, heavy duty design for industrial use, durable black powder coat, RAL 9005. **Load cells:** Robust, IP68, OIML III, with high overload capacity. **Levelling feet.** **Installation:** 5m cable between Platform and indicator. **Approvals:** OIML class III , CE conform. **Power Supply :** 230 V mains, Power cord. **Indicator:** KPZ 52-18, **approved:** KPZ 52E-8.

Typ KPZ	Capacity kg	Div. g	Dim. mm	Indicator	€/pcs Scale	Art.-No. Scale	Certific. possible	€/pcs Certific.	Art.-No. Certification
2SE	300	100	800x800	52E8	955,00	2S00808030E	YES	85,00	300PL000500
2SM	150/300	50/100	800x800	5218	815,00	2SM08080300	No	X	X
2SE	600	200	800x800	52E8	955,00	2S00808060E	YES	95,00	300PL003000
2S	300/600	100/200	800x800	5218	815,00	2SM08080600	No	X	X
2SME	600/1200	200/500	800x800	52E8	955,00	2SM0808120E	YES	95,00	300PLM03000
2SM	600/1200	200/500	800x800	5218	815,00	2SM08081200	No	X	X
2SE	1500	500	800x800	52E8	955,00	2S00808150E	YES	95,00	300PL003000
2S	1500	500	800x800	5218	815,00	2S008081500	No	X	X
2SE	2000	1000	800x800	52E8	955,00	2S00808200E	YES	95,00	300PL003000
2S	2000	1000	800x800	5218	815,00	2S008082000	No	X	X
2SM	1000/2000	200/500	800x800	5218	815,00	2SM08082000	No	X	X
2SME	1500/3000	500/1000	800x800	52E8	955,00	2SM0808300E	YES	95,00	300PLM03000
2SM	1500/3000	500/1000	800x800	5218	815,00	2SM08083000	No	X	X

Other dimensions and capacities are also available ... please contact us for special requests!



We reserve the right to make technical modifications and price changes without prior notification. Warranty: The parts and components are warranted for **two years** from the date of delivery against defects in materials and workmanship, provided proper and normal use condition, excluding batteries and chargers.

Typ KPZ	Capacity kg	Div. g	Dim. mm	Indicator	€/pcs Scale	Art.-No. Scale	Certific. possible	€/pcs Certific.	Art.-No. Certification
2ES	300	100	1000x1000	52E8	1000,00	2S01010030E	YES	85,00	300PL000500
2SM	150/300	50/100	1000x1000	5218	855,00	2SM10100300	No	X	X
2SE	600	200	1000x1000	52E8	1000,00	2S01010060E	YES	95,00	300PL003000
2S	300/600	100/200	1000x1000	5218	855,00	2S010100600	No	X	X
2SME	600/1200	200/500	1000x1000	52E8	1000,00	2SM1010120E	YES	95,00	300PLM03000
2SM	600/1200	200/500	1000x1000	5218	855,00	2SM10101200	No	X	X
2SE	1500	500	1000x1000	52E8	1000,00	2S01010150E	YES	95,00	300PL003000
2S	1500	500	1000x1000	5218	855,00	2S010101500	No	X	X
2SE	2000	1000	1000x1000	52E8	1000,00	2S01010200E	YES	95,00	300PL003000
2S	2000	1000	1000x1000	5218	855,00	2S010102000	No	X	X
2SM	1000/2000	200/500	1000x1000	5218	855,00	2SM10102000	No	X	X
2SME	1500/3000	500/1000	1000x1000	52E8	1000,00	2SM1010300E	YES	95,00	300PLM03000
2SM	1500/3000	500/1000	1000x1000	5218	855,00	2SM10103000	No	X	X
2SE	600	200	1250 x 830	52E8	1020,00	2S01208060E	YES	95,00	300PL003000
2S	600	200	1250 x 830	5218	880,00	2S012080600	No	X	X
2SME	600/1200	200/500	1250 x 830	52E8	1020,00	2SM1208120E	YES	95,00	300PLM03000
2SM	600/1200	200/500	1250 x 830	5218	880,00	2SM12081200	No	X	X
2SE	1500	500	1250 x 830	52E8	1020,00	2S01208150E	YES	95,00	300PL003000
2S	1500	500	1250 x 830	5218	880,00	2S012081500	No	X	X
2SE	2000	1000	1250 x 830	52E8	1020,00	2S01208200E	YES	95,00	300PL003000
2S	2000	1000	1250 x 830	5218	880,00	2S012082000	No	X	X
2SM	1000/2000	200/500	1250 x 830	5218	880,00	2SM12082000	No	X	X
2SME	1500/3000	500/1000	1250 x 830	52E8	1020,00	2SM1208300E	YES	95,00	300PLM03000
2SM	1500/3000	500/1000	1250 x 830	5218	880,00	2SM12083000	No	X	X
2SE	600	200	1250x1000	52E8	1065,00	2S01210060E	YES	95,00	300PL003000
2S	600	200	1250x1000	5218	915,00	2S012100600	No	X	X
2SME	600/1200	200/50	1250x1000	52E8	1065,00	2SM1210120E	YES	95,00	300PLM03000
2SM	600/1200	200/50	1250x1000	5218	915,00	2SM12101200	No	X	X
2SE	1500	500	1250x1000	52E8	1065,00	2S01210150E	YES	95,00	300PL003000
2S	1500	500	1250x1000	5218	915,00	2S012101500	No	50,00	X
2SE	2000	1000	1250x1000	52E8	1065,00	2S01210200E	YES	X	300PL003000
2S	2000	1000	1250x1000	5218	915,00	2S012102000	No	X	X
2SM	1000/2000	200/500	1250x1000	5218	915,00	2SM12102000	No	X	X
2SME	1500/3000	500/1000	1250x1000	52E8	1065,00	2SM1210300E	YES	95,00	300PLM03000
2SM	1500/3000	500/1000	1250x1000	5218	915,00	2SM12103000	No	X	X
2SE	600	200	1250x1250	52E8	1140,00	2S01212060E	YES	95,00	300PL003000
2S	600	200	1250x1250	5218	1000,00	2S012120600	No	X	X
2SME	600/1200	200/500	1250x1250	52E8	1140,00	2SM1212120E	YES	95,00	300PLM03000
2SM	600/1200	200/500	1250x1250	5218	1000,00	2SM12121200	No	X	X
2SE	1500	500	1250x1250	52E8	1140,00	2S01212150E	YES	95,00	300PL003000
2S	1500	500	1250x1250	5218	1000,00	2S012121500	No	X	X
2SE	2000	1000	1250x1250	52E8	1140,00	2S01212200E	YES	95,00	300PL003000
2SE	2000	1000	1250x1250	5218	1000,00	2S012122000	No	X	X
2SM	1000/2000	200/500	1250x1250	5218	1000,00	2SM12122000	No	X	X
2SME	1500/3000	500/1000	1250x1250	52E8	1140,00	2SM1212300E	YES	95,00	300PLM03000
2SM	1500/3000	500/1000	1250x1250	5218	1000,00	2SM12123000	No	X	X

Other dimensions and capacities are also available

.....pls contact us for special request !



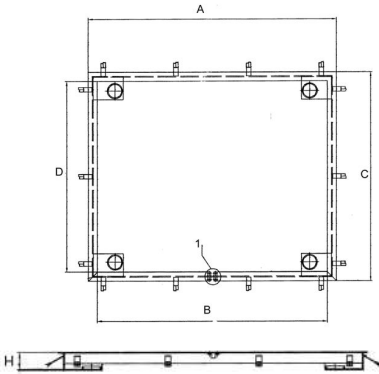
Typ KPZ	Capacity kg	Div. g	Dim. mm	Indicator	€/pcs Scale	Art.-No. Scale	Certific. possible	€/pcs Certific.	Art.-No. Certification
2SE	600	200	1250x1500	52E8	1205,00	2S01215060E	YES	65,00	300PL003000
2S	600	200	1250x1500	5218	1065,00	2S012150600	No	X	X
2SME	600/1200	200/500	1250x1500	52E8	1205,00	2SM1215120E	YES	95,00	300PLM03000
2SM	600/1200	200/500	1250x1500	5218	1065,00	2SM12151200	No	X	X
2SE	1500	500	1250x1500	52E8	1205,00	2S01215150E	YES	95,00	300PL003000
2S	1500	500	1250x1500	5218	1065,00	2S012151500	No	X	X
2SE	2000	1000	1250x1500	52E8	1205,00	2S01215200E	YES	95,00	300PL003000
2S	2000	1000	1250x1500	5218	1065,00	2S012152000	No	X	X
2SM	1000/2000	200/500	1250x1500	5218	1065,00	2SM12152000	No	X	X
2SME	1500/3000	500/1000	1250x1500	52E8	1240,00	2SM1215300E	YES	95,00	300PLM03000
2SM	1500/3000	500/1000	1250x1500	5218	1095,00	2SM12153000	No	X	X
2SE	1500	500	1500x1500	52E8	1290,00	2S01515150E	YES	95,00	300PL003000
2S	1500	500	1500x1500	5218	1155,00	2S015151500	No	X	X
2SE	2000	1000	1500x1500	52E8	1290,00	2S01515200E	YES	95,00	300PL003000
2S	2000	1000	1500x1500	5218	1155,00	2S015152000	No	X	X
2SM	1000/2000	200/500	1500x1500	5218	1155,00	2SM15152000	No	X	X
2SME	1500/3000	500/1000	1500x1500	52E8	1355,00	2SM1515300E	YES	95,00	300PLM03000
2SM	1500/3000	500/1000	1500x1500	5218	1225,00	2SM15153000	No	X	X
2SM	6000	2000	1500x1500	5218	1810,00	2SM15156000	No	X	X
2SME	6000	2000	1500x1500	52E8	1980,00	2SM1515600E	YES	180,00	300PL010000
2SE	1500	500	1500x2000	52E8	2065,00	2S01520150E	YES	95,00	300PL003000
2S	1500	500	1500x2000	5218	1895,00	2S015201500	No	X	X
2SE	2000	1000	1500x2000	52E8	2065,00	2S01520200E	YES	95,00	300PL003000
2S	3000	1000	1500x2000	5218	1895,00	2S015202000	No	X	X
2SME	1500/3000	500/1000	1500x2000	52E8	2065,00	2SM1520300E	YES	95,00	300PLM03000
2SM	1500/3000	500/1000	1500x2000	5218	1895,00	2SM15203000	No	X	X
2S	6000	2000	1500x2000	5218	2355,00	2S0015206000	No	X	X
2SE	6000	2000	1500x2000	52E8	2515,00	2S001520600E	YES	180,00	300PL010000
2SE	1500	500	2000x2000	52E8	2495,00	2S02020150E	YES	95,00	300PL003000
2S	1500	500	2000x2000	5218	2350,00	2S020201500	No	X	X
2SE	2000	1000	2000x2000	52E8	2495,00	2S02020200E	YES	95,00	300PL003000
2S	3000	1000	2000x2000	5218	2350,00	2S020203000	No	X	X
2SME	1500/3000	500/1000	2000x2000	52E8	2495,00	2SM2020300E	YES	95,00	300PLM03000
2SM	1500/3000	500/1000	2000x2000	5218	2350,00	2SM20203000	No	X	X
2SE	6000	2000	2000x2000	5218	2820,00	2S02020600E	No	X	X
2SE	6000	2000	2000x2000	52E8	2990,00	2S02020600E	YES	180,00	300PL010000

Other dimensions and capacities are also available

Options / accessories / extra charge	€/pcs	Art.-No.
Delivery without Indicator REDUCED PRICE	On Request	1252180OHNE
Rechargeable battery version KPZ 52 18, KPZ 52E8	20,00	12004000000
Indicator Stand for KPZ 52-18, KPZ 52E8, powder painted, 100cm	40,00	2S022000000
Wall mounting for KPZ 52-18, KPZ 52E8	15,00	1S002200000
Serial interface RS232C k KPZ 52E-8	30,00	1252E8000100
Serial interface RS232C k KPZ 52-18	15,00	125218000100
Foot locators, Set (4pcs)	80,00	10520100000
3 Set points for KPZ 52E-8 (high – OK – low)	85,00	1252e8000300
WiFi Datatransfer	15,00	52E800001101
Connector in cable between Plattform and Indicator also	On Request	x
KPZ PC Software	On Request	X
KPZ Printer	On Request	X
USB, 8MB internal Memory	670,00	X

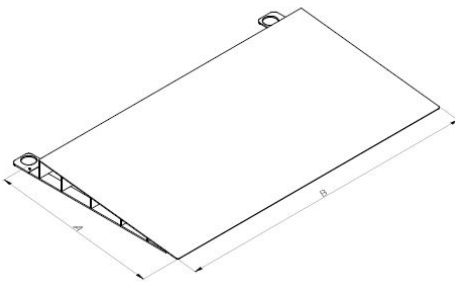
.....please contact us for special requests!





Pit frame for KPZ 2	A	B	C	D	H	€/pcs	Article No.
800 x 800 do 3000kg	920	820	920	820	110	345,00	25S008083000
830 x 1250 do 3000kg	1370	1270	950	850	110	360,00	25S008123000
1000 x 1000 do 3000kg	1120	1020	1120	1020	110	360,00	25S010103000
1000 x 1250 do 3000kg	1370	1270	1120	1020	110	365,00	25S010123000
1250 x 1250 do 3000kg	1370	1270	1370	1270	110	390,00	25S012123000
1250 x 1500 do 3000kg	1620	1520	1370	1270	110	425,00	25S012153000
1500 x 1500 do 3000kg	1620	1520	1620	1520	110	475,00	25S015153000
1500 x 1500, 6000kg	1620	1520	1620	1520	175	505,00	25S015156000
1500 x 2000 do 3000kg	2120	2020	1620	1520	150	515,00	25S015203000
1500 x 2000, 6000kg	2120	2020	1620	1520	175	550,00	25S015206000
2000 x 2000 do 3000kg	2120	2020	2120	2020	150	575,00	25S020203000
2000 x 2000 6000kg	2120	2020	2120	2020	175	615,00	25S020206000

Removable cover for the cable entry hole. Minimum size of the space for recessing = A + 160mm x C + 160mm



Ramp for KPZ 2	A	B	€/pcs	Article No.
KPZ 2 800 x 800 mm do 3000kg	800	800	305,00	21S008083000
KPZ 2 830 x 1250 mm do 3000kg	830	800	310,00	21S008093000
KPZ 2 1000 x 1000 mm do 3000kg	1000	800	325,00	21S008103000
KPZ 2 1000 x 1250 mm do 3000kg	1000	800	325,00	21S008103000
KPZ 2 1250 x 1250 mm do 3000kg	1250	800	360,00	21S008123000
KPZ 2 1250 x 1500 mm do 3000kg	1250	800	360,00	21S008123000
KPZ 2 1500 x 1500 mm do 3000kg	1500	800	420,00	21S008153000
KPZ 2 1500 x 1500 mm 6000kg	1500	1500	930,00	21S015156000
KPZ 2 1500 x 2000 mm do 3000kg	1500	1500	850,00	21S015153000
KPZ 2 1500 x 2000 mm 6000kg	1500	1500	930,00	21S015156000
KPZ 2 2000 x 2000 mm do 3000kg	2000	1500	1095,00	21S015203000
KPZ 2 2000 x 2000 mm 6000kg	2000	1500	1210,00	21S015206000

please contact us for special requests!

Einbauinformation / installation information / informace o instalaci

Pit fram KPZ 2 / Fundamentrahmen KPZ 2 / Základový rám KPZ 2

Abmessungen ca. in mm: Dimension in mm : Rozměry v mm : Zeichnungsausschnitt / Drawing No : 1 =

Kabeldurchführungsöffnung/feed-through hole | Výřez výkresu = otvor k provedení kabelu. | Minimale Einbau-

Grubengröße = A+160mm x C+160mm | Mininale build in hule size = A + 160 mm x C + 160 mm | Minimální velikost

jámy k zabudování = A+160mm x C+160mm

Pit fram KPZ 2 / Fundamentrahmen KPZ 2 / Základový rám KPZ 2

Fundamentrahmen Einbau KPZ 2 / Základový rám montáž KPZ 2. Bitte beachten Sie beim Einbau des

Fundamentrahmen folgendes : Pls. Take care by build in the pit frame for following | Vezměte prosím na vědomí, při instalaci

základního rámu toto : **Achtung! Eichfähige Ausführung | Caution certified Version | Pozor cejchuschopné provedení:**

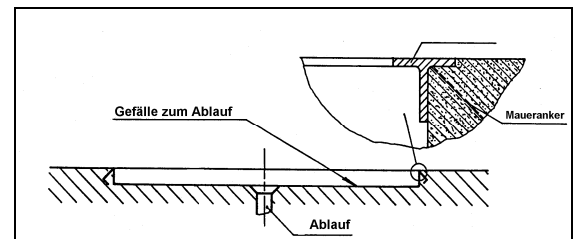
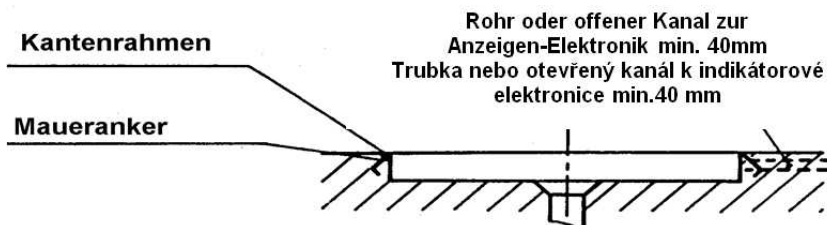
Bei der KPZ 2E ist das Kabel zwischen Anzeigeelektronik und der Plattform fest angeschlossen. Ein durchführen durch ein

Fundamentrohr ist nicht möglich. Es muß ein von oben zu öffnender Kabelkanal verwendet werden! | For the KPZ 2E the

cable is fixed between the platform and the Indicator, therefore it is no possibility feedthrough the cable by a pipe. The cable

channel must have a possibility to open in top. | U KPZ 2 E je kabel mezi zobrazovací jednotkou a plošinou pevně připojen.

Průvod přes základovou trubku není možný. Zhora musí být použit otevírací kabelový kanál. |



.....pls contact us for special request !



KPZ 2VA Platform scale | | up to 3.000 kg
Galvanized Frame / Weighing Plate Aluminum. Option : Stainless Top plate



Solid and stable **platform scales** series **KPZ 2VA**. **German design and own EU production guarantees high quality**. Designed as floor scales, industrial weighing. High accuracy. Galvanized steel construction. Weighing Plate Aluminum.

Construction: Robust, maintenance-free, welded steel construction, **Frame hot-dip galvanized**, for industrial use, structured non-slip Aluminw weighing platform. **Load cells:** Robust, **IP68**, OIML III, with high overload capacity. Levelling feet. **Installation:** 5m cable between Platform and indicator. **Approvals:** OIML class III , CE conform. **Power Supply** : 230 V mains, Power cord. **Indicator:** KPZ 52-18, **approved:** KPZ 52E-8.

Typ KPZ	Capacity kg	Div. g	Dim. mm	Indicator	€/pcs Scale	Art.-No. Scale	Certific. possible	€/pcs Certific.	Art.-No. Certification
2 VA	150/300	50/100	580x1010	5218	695,00	2VA006100300	No	x	X
2 VAE	300	100	580x1010	52E8	825,00	2VA00610030E	YES	85,00	300PL000500
2 VA	150/300	50/100	910x1010	5218	755,00	2VA009100300	No	x	X
2 VAE	300/600	100/200	910x1010	5218	890,00	2VA009100600	YES	135,00	300PL003000
2 VA	150/300	50/100	740x1260	5218	740,00	2VA007120300	No	x	X
2 VAE	300	100	740x1260	52E8	875,00	2VA00712030E	YES	85,00	300PL000500
2 VA	150/300	50/100	1160x1260	5218	865,00	2VA010120300	No	x	X
2 VAE	300	100	1160x1260	52E8	1000,00	2VA01012030E	YES	85,00	300PL000500
2 VA	150/300	50/100	510x1510	5218	745,00	2VA005150300	No	x	X
2 VAE	300	100	510x1510	52E8	870,00	2VA00515030E	YES	85,00	300PL000500
2 VA	150/300	50/100	670x1510	5218	770,00	2VA006150300	No	x	X
2 VAE	300	100	670x1510	52E8	900,00	2VA00615030E	YES	85,00	300PL000500
2 VA	150/300	50/100	660x1810	5218	885,00	2VA007180300	No	0,00	X
2 VAE	300	100	660x1810	52E8	1005,00	2VA00718030E	YES	85,00	300PL000500
2AOH	1500	500	2200x920	5218	1490,00	2AOH09221500	No	x	X
2AEOH	1500	500	2200x920	52E8	1535,00	2AOH0922150E	YES	95,00	300PL003000
2AOH	1500	500	2500x920	5218	1640,00	2AOH09251500	No	x	X
2AEOH	1500	500	2500x920	52E8	1685,00	2AOH0925150E	YES	95,00	300PL003000

Other dimensions and capacities are also available

Options / accessories / extra charge	€/pcs	Art.-No.
Without Indicator KPZ 5218 / KPZ 52E8 REDUCED PRICE	on request	1252180OHNE
Rechargeable battery version KPZ 52 18, KPZ 52E8	20,00	12004000000
Indicator Stand for KPZ 52-18, KPZ 52E8, powder painted, 100cm	40,00	2S022000000
Wall mounting for KPZ 52-18, KPZ 52E8	15,00	1S002200000
Serial interface RS232C k KPZ 52E-8	30,00	1252E8000100
Serial interface RS232C k KPZ 52-18	15,00	125218000100
Foot locators, Set (4pcs)	80,00	10520100000
3 Set points for KPZ 52E-8 (high – OK – low)	85,00	1252e8000300
WiFi Datatransfer	425,00	120005000000
Connector in cable between Plattform and Indicator also	15,00	52E800001101
KPZ PC Software	on request	X
KPZ Printer	on request	X
USB, 8MB internal Memory	670,00	X

.....please contact us for special requests!



Floor Scale, Steel powder painted

 M KPZ 1SC KPZ 1SX	 M KPZ 1S	 M KPZ 1BSX
 M KPZ 1B	 M KPZ 2SC	 M KPZ RB  M Dosing
 M KPZ 2SX	 M KPZ 2S	 M KPZ 2VA
 M KPZ 2B	 M KPZ 2D	 M KPZ 2 DC
 M KPZ 1BKPZ 2DA / 1BAC	 M KPZ 2L	 M KPZ 2DV1
 M Countingsystem	 M KPZ 2082 Dual Countingsystem	 M KPZ 2A,

Container scale

